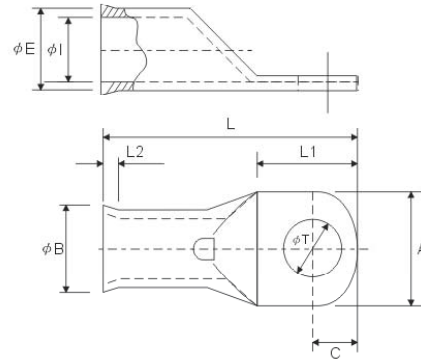


COPPER TUBE TERMINALS 裙擺型銅管端子

TERMINAL MATERIAL : COPPER TUBE



WIRE RANGE mm ²	ITEM NO.	DIMENSION ^{inch} mm									WIRE AWG	
		SEC.	REFERENCE	φT	φI	φB	L2	L	φE	A		L1
10	TT-10-6	6.4	4.7	8.5	2.5	28	6.9	6.9	11.9	12.5	5.5	8
	TT-10-8	8.3				31			13.5	12.5	6.8	
16	TT-16-6	6.4	5.6	9.5	2.5	33	7.8	7.8	11.9	12	5.5	6
	TT-16-8	8.3				37			13.5	15.5	6.8	
25	TT-25-8	8.3	7.1	11.5	3	39	9.5	9.5	13.5	16	6.8	4
	TT-25-10	10.5				42			16	19	8	
35	TT-35-8	8.3	8.2	13	3.5	42	11	11	15.7	18	8.3	2
	TT-35-10	10.5				46			15.7	22	10	
50	TT-50-10	10.5	9.5	15.5	3.5	51	12.5	12.5	17.9	22	10	0
	TT-50-12	13										
70	TT-70-10	10.5	11.5	19	4.5	54	15	15	21.5	22	10	2/0
	TT-70-12	13										
95	TT-95-14	14.5	13.5	20.5	5	72	17	17	24.7	33	16.5	3/0
	TT-95-16	16.5										
120	TT-120-14	14.5	15.6	24.5	6	74	20	20	28.9	33	16.5	4/0
	TT-120-16	16.5										
150	TT-150-14	14.5	16.5	25.5	6	84	21	21	30.4	33	16.5	5/0
	TT-150-16	16.5										
185	TT-185-16	16.5	18.4	28	7	92	23.6	23.6	37	35	17	10
240	TT-240-16	16.5	21.2	31.5	7	98	26.4	26.4	41	35	17	10