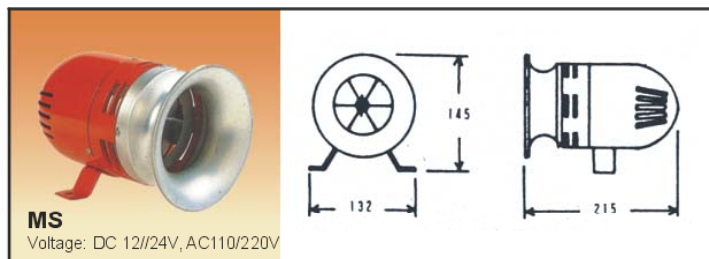
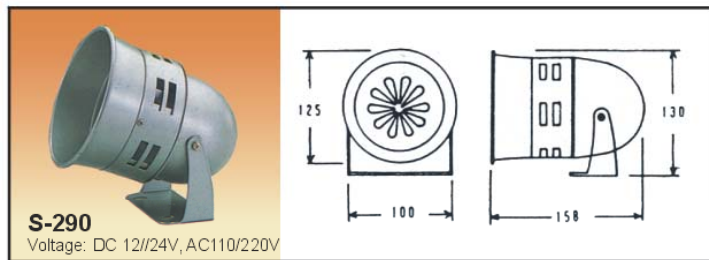
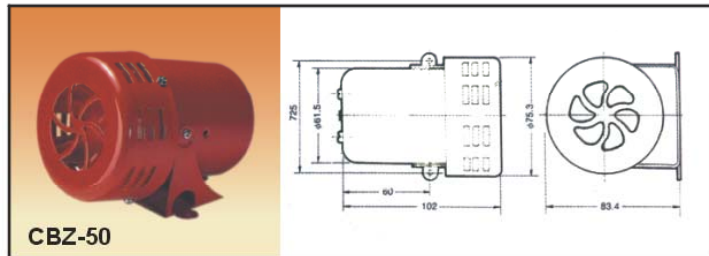
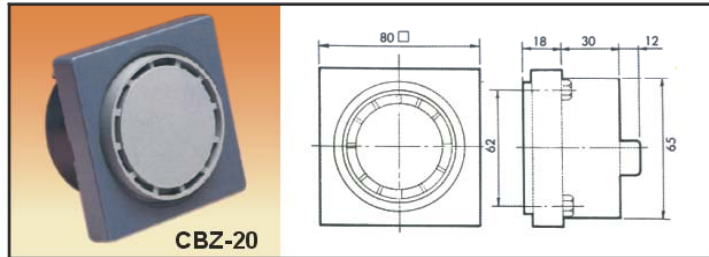
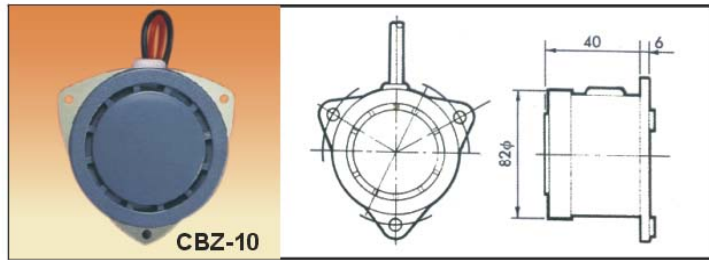
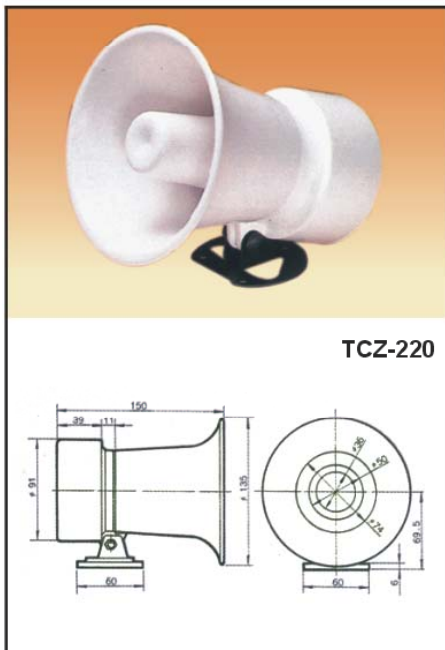
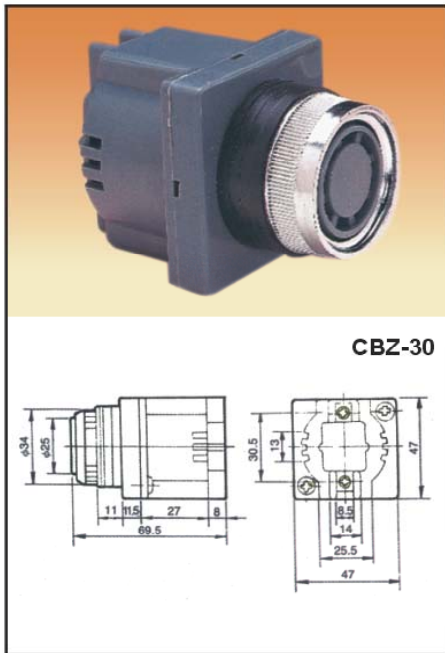




BUZZERS & SIRENS 警報器



ITEM NO.	RATING	MOUNTING STYLE	VOLUME(d.B.)	WEIGHT
CBZ-10	AC 110V, 220V, 380V DC 12V, 24V	SURFACE MOUNTING	8	160g
CBZ-20	AC 110V, 220V, 380V DC 12V, 24V	FLUSH MOUNTING	8	190g
CBZ-30	AC 110V, 220V, 380V DC 12V, 24V	FLUSH MOUNTING	4	125g
TCZ-220	AC 110V, 220V, 380V DC 12V, 24V	SURFACE MOUNTING	105	610g
CBZ-50	AC 110V, 220V, 380V DC 12V, 24V	SURFACE MOUNTING	105	440g